

LGH-RVS SERIES

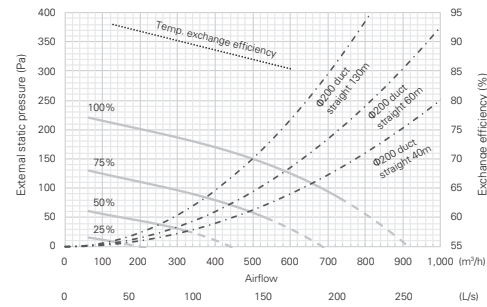
Specifications

LGH-50RVS-E

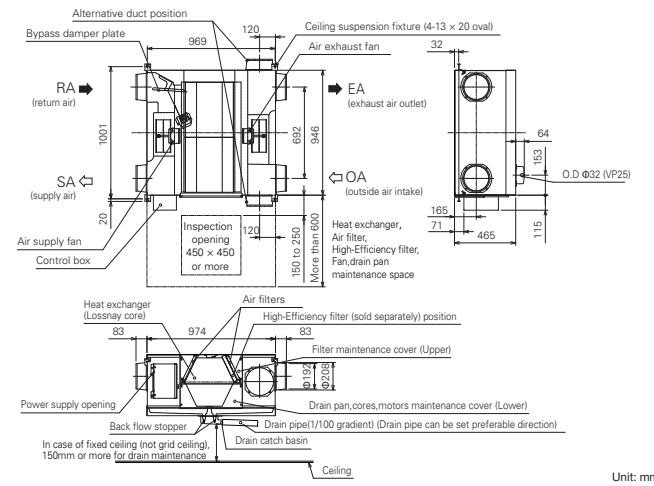
Weight	55kg (67kg with maximum drain water)			
Electrical power supply	220-240V/50Hz, 220V/60Hz			
Fan speed	100%	75%	50%	25%
Input power (W)	190	110	60	25
Airflow	(m ³ /h)	500	375	250
	(L/s)	139	104	69
Specific fan power [W/(L/s)]	1.37	1.06	0.86	0.72
External static pressure (Pa)	150	84	38	9
Temperature exchange efficiency (%)	87.0	89.0	91.0	93.0
Noise (dB)	33.0	27.0	22.0	18.0
Exhaust air transfer ratio (%)	5			

Test condition: ISO 16494, Temp. exchange efficiency is winter condition, A-weighted sound pressure level @1.5m off from the center of the unit in an anechoic chamber, Tracer gas method @100% airflow (prEN308)

Characteristic Curves



Dimensions

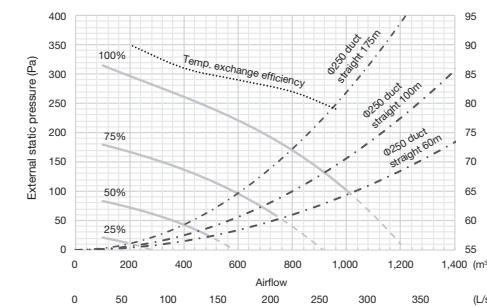


LGH-80RVS-E

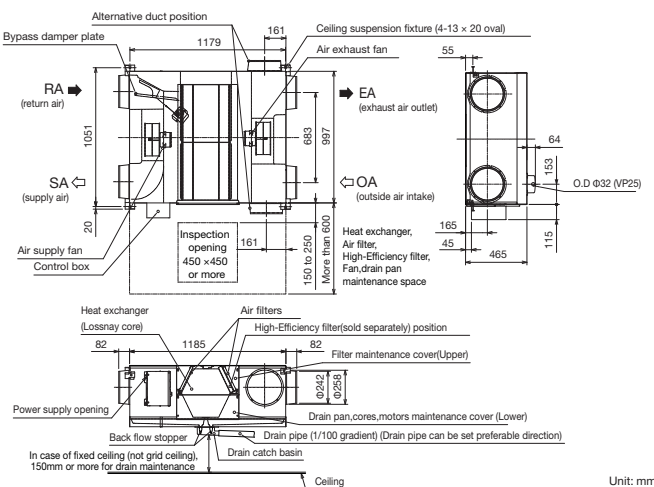
Weight	63kg (77kg with maximum drain water)			
Electrical power supply	220-240V/50Hz, 220V/60Hz			
Fan speed	100%	75%	50%	25%
Input power (W)	325	175	85	32
Airflow	(m ³ /h)	800	600	400
	(L/s)	222	167	111
Specific fan power [W/(L/s)]	1.46	1.05	0.77	0.58
External static pressure (Pa)	170	96	43	11
Temperature exchange efficiency (%)	82.0	84.0	86.0	90.0
Noise (dB)	36.0	30.0	25.0	18.0
Exhaust air transfer ratio (%)	5			

Test condition: ISO 16494, Temp. exchange efficiency is winter condition, A-weighted sound pressure level @1.5m off from the center of the unit in an anechoic chamber, Tracer gas method @100% airflow (prEN308)

Characteristic Curves



Dimensions



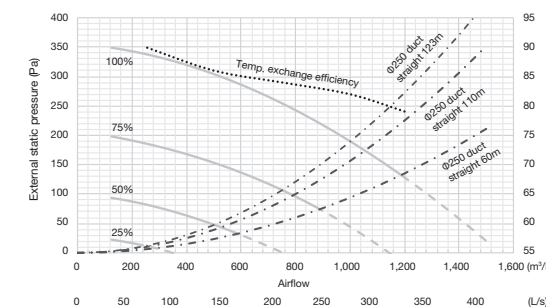
■The input power, the efficiency and the noise are based on the rating airflow, and 230V/50Hz. Temperature exchange efficiency (%) is measured at indoor DB 20°C/WB15°C and outdoor DB 5°C/WB3°C. It is measured according to ISO16494.
 When the indoor humidity is low and condensation in the heat exchanger does not occur, the exchange efficiency may be decreased in winter.
 ■The absolute humidity of RA shall be lower than 0.0139kg/kg (DA) in winter and relative humidity of RA shall be lower than 90%RH through the year.
 Example of the absolute humidity 0.0139kg/kg (DA) are 20.7°C 90%RH, 25°C 70%, 30°C 50% etc.

LGH-100RVS-E

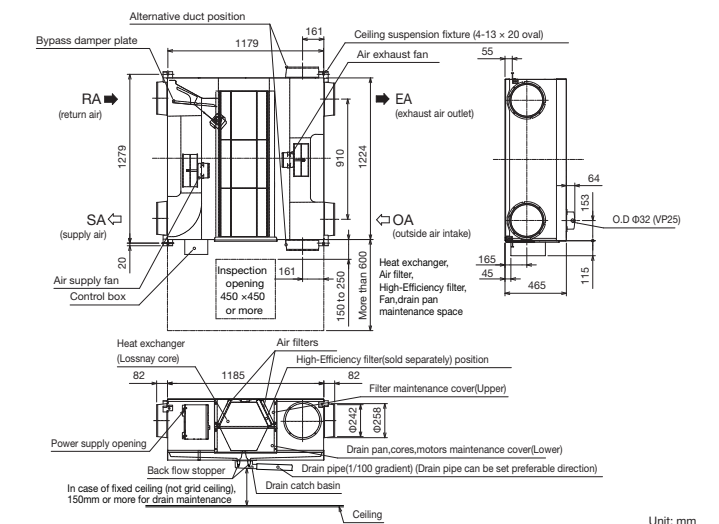
Weight	73kg (89kg with maximum drain water)			
Electrical power supply	220-240V/50Hz, 220V/60Hz			
Fan speed	100%	75%	50%	25%
Input power (W)	445	225	100	35
Airflow	(m ³ /h)	1000	750	500
	(L/s)	278	208	139
Specific fan power [W/(L/s)]	1.60	1.08	0.72	0.50
External static pressure (Pa)	190	107	48	12
Temperature exchange efficiency (%)	82.0	84.0	86.0	90.0
Noise (dB)	37.0	32.0	24.0	18.0
Exhaust air transfer ratio (%)	5			

Test condition: ISO 16494, Temp. exchange efficiency is winter condition, A-weighted sound pressure level @1.5m off from the center of the unit in an anechoic chamber, Tracer gas method @100% airflow (prEN308)

Characteristic Curves



Dimensions



■The input power, the efficiency and the noise are based on the rating airflow, and 230V/50Hz. Temperature exchange efficiency (%) is measured at indoor DB 20°C/WB15°C and outdoor DB 5°C/WB3°C. It is measured according to ISO16494.
 When the indoor humidity is low and condensation in the heat exchanger does not occur, the exchange efficiency may be decreased in winter.
 ■The absolute humidity of RA shall be lower than 0.0139kg/kg (DA) in winter and relative humidity of RA shall be lower than 90%RH through the year.
 Example of the absolute humidity 0.0139kg/kg (DA) are 20.7°C 90%RH, 25°C 70%, 30°C 50% etc.