

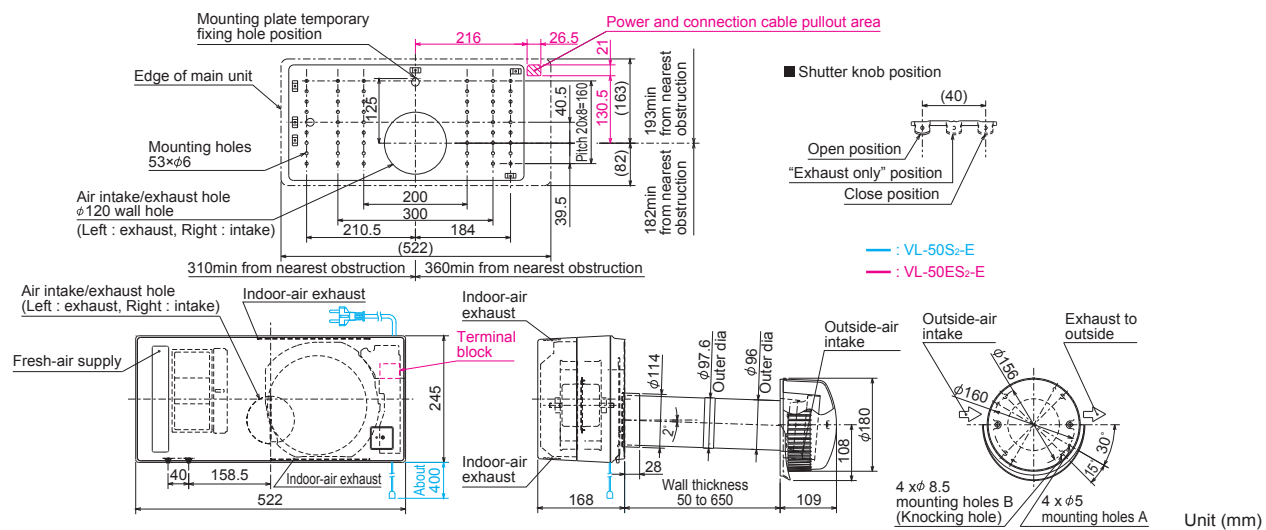
## Residential Lossnay Specifications

Model: VL-50S<sub>2</sub>-E (Pull-Switch Model), VL-50ES<sub>2</sub>-E (Wall-Switch Model)

Model	VL-50(E) <sub>2</sub> -E							
	220V/50Hz		230V/50Hz		240V/50Hz		220V/60Hz	
Electrical power supply	220V/50Hz		230V/50Hz		240V/50Hz		220V/60Hz	
Fan speed	High	Low	High	Low	High	Low	High	Low
Air volume (m <sup>3</sup> /h)	51	15	52.5	16	54	17	54	17
Power consumption (W)	19	4	20	4.5	21	5	21	5.5
Temperature exchange efficiency (%)	70	86	69	85	68	84	68	84
Noise level (dB)	36.5	14	37	15	37.5	15.5	37.5	15.5
Weight (kg)	6.2							
Specific energy consumption class	C							

\*Figures in the chart is measured according to Japan Industrial Standard (JIS B 8628) on shutter knob open position.

### Dimensions



Model: VL-50SR<sub>2</sub>-E (Remote Controller Model)

Model	VL-50SR <sub>2</sub> -E							
	220V/50Hz		230V/50Hz		240V/50Hz		220V/60Hz	
Electrical power supply	220V/50Hz		230V/50Hz		240V/50Hz		220V/60Hz	
Fan speed	High	Low	High	Low	High	Low	High	Low
Air volume (m <sup>3</sup> /h)	51	15	52.5	16	54	17	54	17
Power consumption (W)	19	4.5	20	5	21	5.5	21	6
Temperature exchange efficiency (%)	70	86	69	85	68	84	68	84
Noise level (dB)	36.5	14	37	15	37.5	15.5	37.5	15.5
Weight (kg)	6.2							
Specific energy consumption class	C							

\*Figures in the chart is measured according to Japan Industrial Standard (JIS B 8628) on shutter knob open position.

### Dimensions

